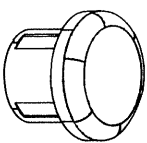
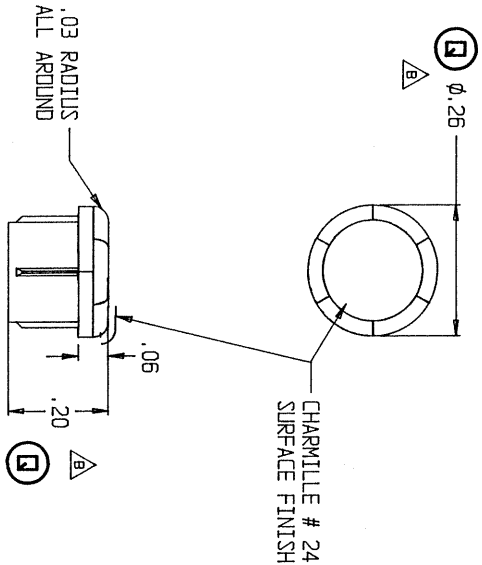
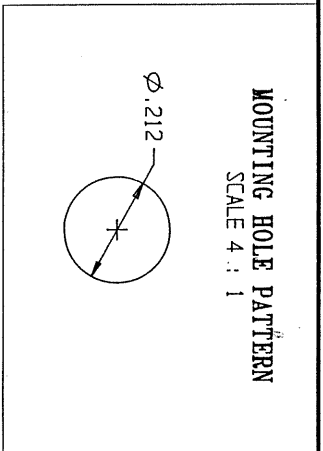


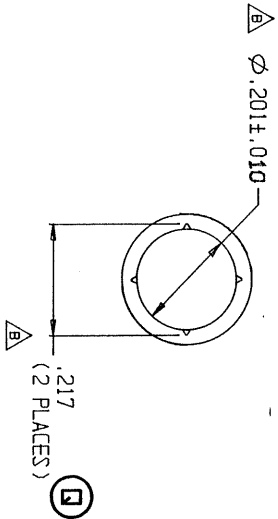
REV	ECR NO./DESCRIPTION	DATE
A	11/781 NEW RELEASE	06/16/95
B	12010 PAP SALES DRAWING	08/17/95

NOTES:

1. LED TYPE TBD.
2. MATERIAL: CLEAR POLYCARBONATE 94-V2.



ISOMETRIC VIEW
FOR REFERENCE ONLY
SCALE 4 : 1



DO NOT SCALE

THIS DRAWING IS THE PROPERTY OF INDUSTRIAL DEVICES, INC. AND IS PROPRIETARY IN GENERAL AND IN DETAIL. IT SHALL NOT BE COPIED OR ITS CONTENTS REVEALED TO OUTSIDE PARTIES WITHOUT THE WRITTEN CONSENT OF INDUSTRIAL DEVICES, INC.

<input type="checkbox"/> FOR INSPECTION USE ONLY <input checked="" type="checkbox"/> SPC DOCUMENTATION REQ. (X R CHARTS)	PART NO. MODEL NO. 7511A18
MATERIAL: SEE NOTES	FINISH: SEE NOTES
TOLERANCE UNLESS OTHERWISE SPECIFIED: FRACTION ± 1/64 DECIMAL ± 0.010 (0.25) HOLE ± 0.005 (0.13) ANGLE ± 1 DEG	TITLE LIGHTPIPE FOR UNGERMAN-BASS

DRAWN M. VAL ZANIA	CHECKED M.L.V. 8-23-95	ENG. APPROV. [Signature] 8/19/95	SCALE: 4 : 1	DIST. S	REV B
INDUSTRIAL DEVICES, INC. HICKENSBACK, NEW JERSEY			B127777	SHEET	REV

DEC 12 2002